



TSi 150CC
Compact Crawler
SONIC DRILL RIG
TECHNICAL INFORMATION

TSi 150CC Compact Crawler SONIC DRILL RIG

TECHNICAL INFORMATION

MODEL DESCRIPTION

The TSi 150CC Compact Crawler Sonic Drill Rig is a crawler mounted unit with a 225 HP (168 kW) diesel engine that powers all driving, drilling and accessory hydraulic functions.

The TSi 150CC Compact Crawler features our exclusive TSi 150 Sonic oscillator that efficiently utilizes up to 150 HP (111.85 kW) to generate powerful resonant sonic energy in the drill string to a rated drilling depth of 700 feet (213.4 m) with 6 inch (152.4 mm) casing. In addition, the unit has full rotational drilling capability.

The TSi 150CC Compact Crawler mast enables drilling angles anywhere between vertical and 45°, incorporates an integrated hose management system within its tubular frame, and utilizes a drive system that operates the feed frame with half the chain length and rollers of conventional drive methods. The standard mast handles 10' drill steel, and an optional Low Clearance mast that handles 5' drill steel is also available.

The TSi 150CC Compact Crawler has a fold-down driller work platform to enhance driller operating efficiency and safety.

The following specifications provide a closer look at the TSi 150CC Compact Crawler.

Deck Specifications	
	US STANDARD (METRIC)
Working Platform	3 ft. (914.4 mm) Long X 2 ft. – 6 in. (762 mm) Wide Driller Platform, Hinged
Jacklegs	Four 3.5" X 24.31" (88.9 mm X 617.5 mm), at Deck Corners with Built-In Lock Valves

Engine Specifications	
	US STANDARD (METRIC)
Engine Type (Integral with Crawler)	John Deere, Model 6068, Diesel, Tier 3 / Stage IIIA Emission Certification Standards
Engine Power	225 HP (168 kW) @ 2000 RPM
Fuel Capacity	42 gal (159.3 L)
Auxiliary Air Compressor	13.2 CFM @ 120 psi (22.43 m³/hr @ 8.27 bar)

TSi 150CC

Compact Crawler

SONIC DRILL RIG

TECHNICAL INFORMATION

Rig Performance Specifications	
	US STANDARD (METRIC)
Rated Drilling Depth	700 ft. (213.4 m) with 6 in. (152.4 mm) Casing
Max Drilling Diameter	12" (304.8 mm) Casing
Drill Feed Rate	0 to 135 fpm (0 to 41.15 m/min)
Pull Back Force	16,800 lbs. (9979 kg)
Down Force	11,300 lbs. (6804 kg)
Max Casing Length	10 ft. (3.05 m)

Hydraulic System Specifications	
	US STANDARD (METRIC)
Hydraulic Oil Capacity	120 gal (454.3 L)
Hydraulic Cooling System	240,000 Btu/hr @ 100 gpm (70,337 w @ 378.5 Lpm), and 50,000 Btu/hr @ 20 gpm (14,654 w @ 75.7 Lpm) for Sonic Head
Variable Speed Control	Variable Displacement Pumps
Hydraulic Control	Hydraulic over Hydraulic for All Functions

Mast Specifications	
	US STANDARD (METRIC)
Head Tilt and Hinge	87° Tilt and Hinge away from Driller to enable Jib over the hole
Head Travel	Standard Mast: 14 ft. – 1 in. (4.29 m) Low Clearance Mast: 8 ft. – 5 in. (2.57 m)
Head Travel Speed	0 to 155 fpm (0 to 47.26 m/min)
Overall Height from Ground	Standard Mast: 19 ft. – 11-3/4 in. (6.1 m) with Jib Stored and Mast Fully Raised, 21 ft. - 3 in. (6.48 m) with Jib in Working Position Low Clearance Mast: 14' – 7" (4.45 m) with Mast Fully Raised (Jib does not raise above mast)
Dump Mast	Standard Mast: 2 ft. – 6 in. (0.76 m), 12.5 in. Above Ground Fully Retracted Low Clearance Mast:
Upper Jib Hoist	2000 lbs. (907.18 kg) Capacity, 150 fpm (45.72 m/min) Bare Drum Speed
Feed System	Hydraulic Cylinder Operated Feed Frame Using Half the Leaf Chain Length and Rollers as Conventional Hydraulic Cylinder/ Chain Method
Mast Lock	Manual Tower Locks in Vertical Position
Drilling Angle	Vertical to 45° Off Vertical with Adjustable Tower Prop at Base of Mast
Hose Carrier	Mast Integrated Hose Management System with Accessible Bulkheads


TERRA SONIC
 INTERNATIONAL
 Reno Business Park
 27825 State Route 7
 Marietta, Ohio, USA 45750
 Corporate: 1.740.374.6608
 Fax: 1.740.374.6907
www.terrasonicinternational.com

TSi 150CC

Compact Crawler

SONIC DRILL RIG

TECHNICAL INFORMATION

Breakout Specifications	
	US STANDARD (METRIC)
Wrench	Dual Cylinders on both Top and Bottom Wrench
Wrench Clamp Force	Adjustable Pressure Control Preset at 34,500 lbs. (15,649 kg)
Breakout Torque	30,365 ft-lbs (41,169 N-m) with Dual Cylinders
Wrench Size Range	3 in. (76.2 mm) to 12 in. (304.8 mm)
Wrench Travel	19° Swing
Hardened Inserts	Standard

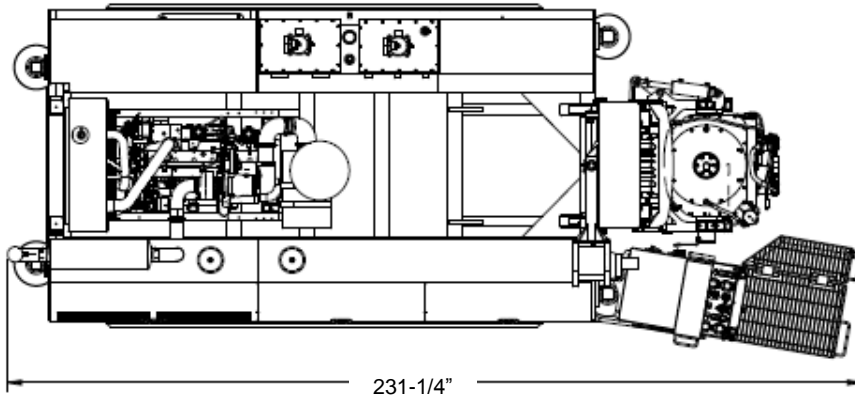
Sonic Head Specifications	
	US STANDARD (METRIC)
Sonic Head Model	TSi 150
Oscillator Frequency	0 - 150 Hz
Oscillator Force	50,000 lbs. (22,680 kg)
Max Torque (high torque/low speed)	4677 ft-lbs (6341 N-m)
Rotation Speed (low speed/high torque)	0 to 80 rpm

Options				
Track-Mounted Rod Carrier with Bridge Crane		High Rotation Speed of 145 rpm with 2044 ft-lbs (2771 N-m) torque		
Steel Tracks	Triple Breakout Clamps	Pipe Handling System	Water Tank – 300 Gal (984 L) Detachable	Drill Maintenance Tool Kit
Diamond Coring Adapter with Dual Speed of 0 - 600 rpm with 1623 ft-lbs (2200 N-m) Continuous Torque, and 0 – 1000 rpm with 811 ft-lbs (1100 N-m) Continuous Torque				
Grout Mixer / Pump	Mast Stiff Leg for Angle Drilling	60 amp Alternator	Rubber Mounted Flood Lights	Drill Training Program
Custom Paint and Customer Logo	Low Clearance Mast	Larger Air Compressor Capacity of 34 CFM @ 120 psi (57.77 m ³ /hr @ 8.27 bar)		

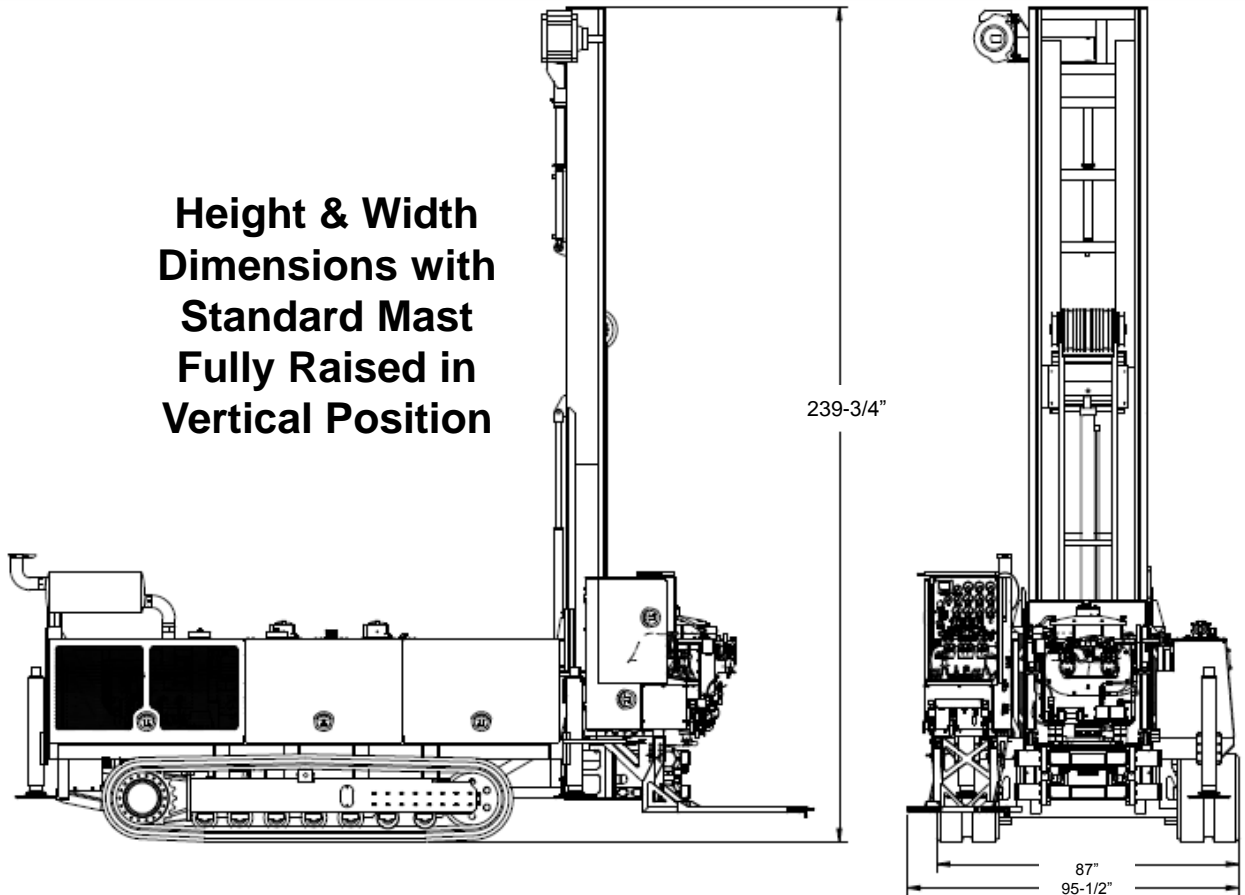

TERRASONIC
 INTERNATIONAL
 Reno Business Park
 27825 State Route 7
 Marietta, Ohio, USA 45750
 Corporate: 1.740.374.6608
 Fax: 1.740.374.6907
www.terrasonicinternational.com

TSi 150CC Compact Crawler SONIC DRILL RIG

TECHNICAL INFORMATION



**Height & Width
Dimensions with
Standard Mast
Fully Raised in
Vertical Position**

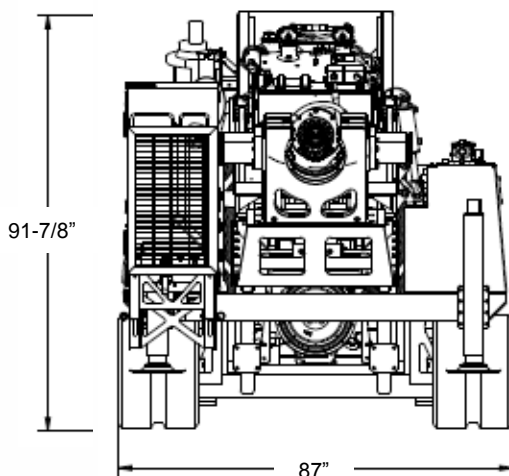
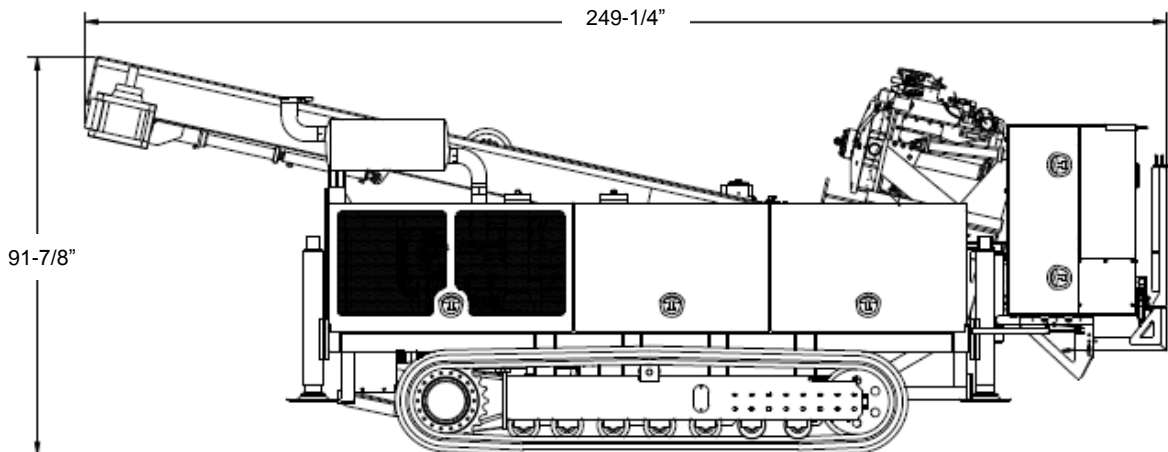
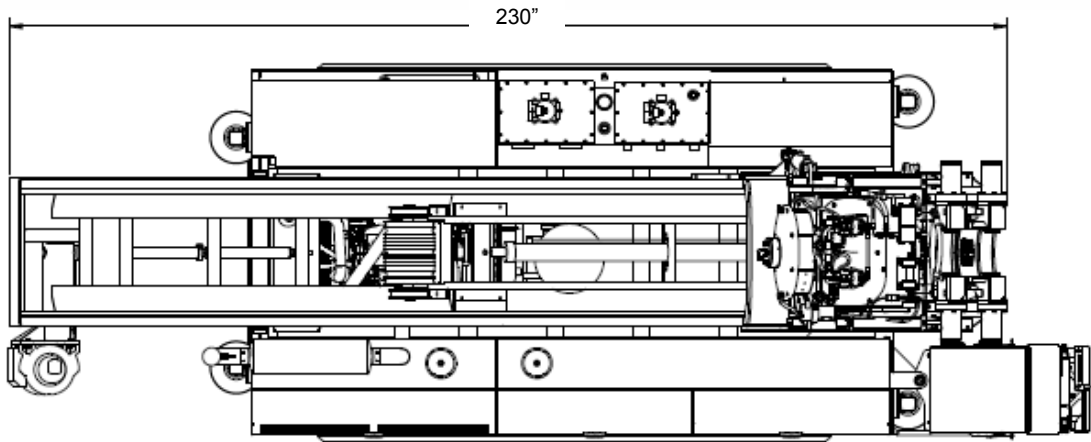


 **TERRA SONIC**
INTERNATIONAL

Reno Business Park
27825 State Route 7
Marietta, Ohio, USA 45750
Corporate: 1.740.374.6608
Fax: 1.740.374.6907
www.terrasonicinternational.com

TSi 150CC Compact Crawler SONIC DRILL RIG

TECHNICAL INFORMATION



**Height & Width
Dimensions with Mast in
Lowered Position for
Transport
Total Rig Weight =
26,000 lbs. (11,793.4 kg)**

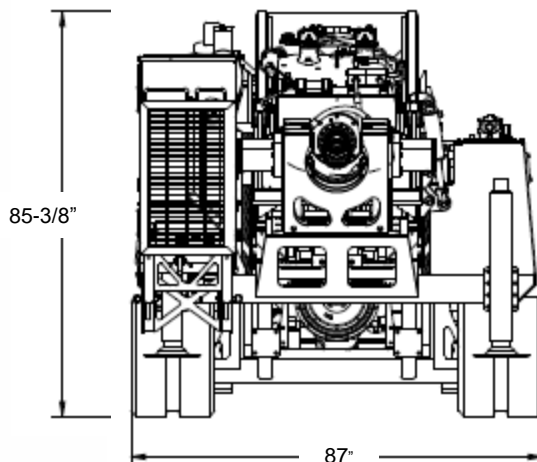
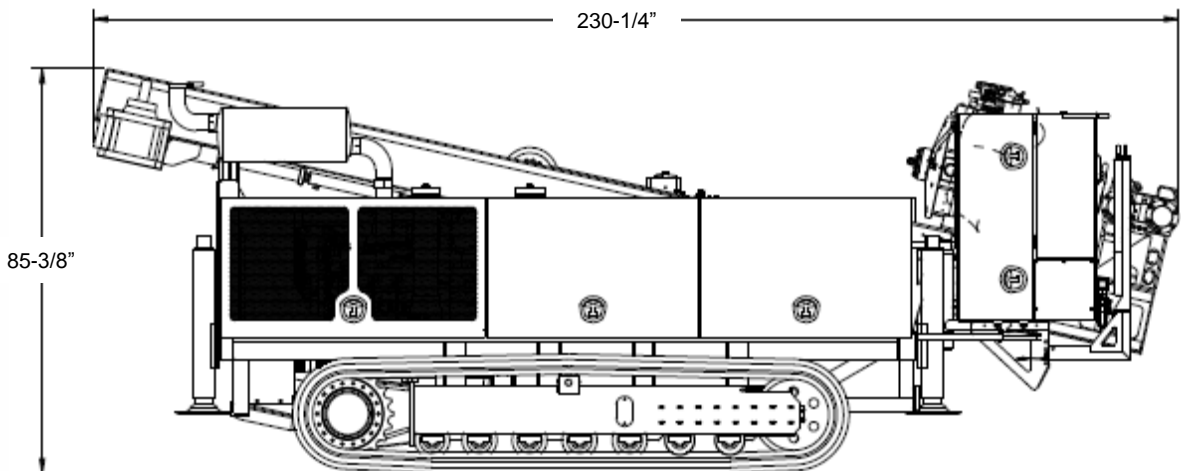
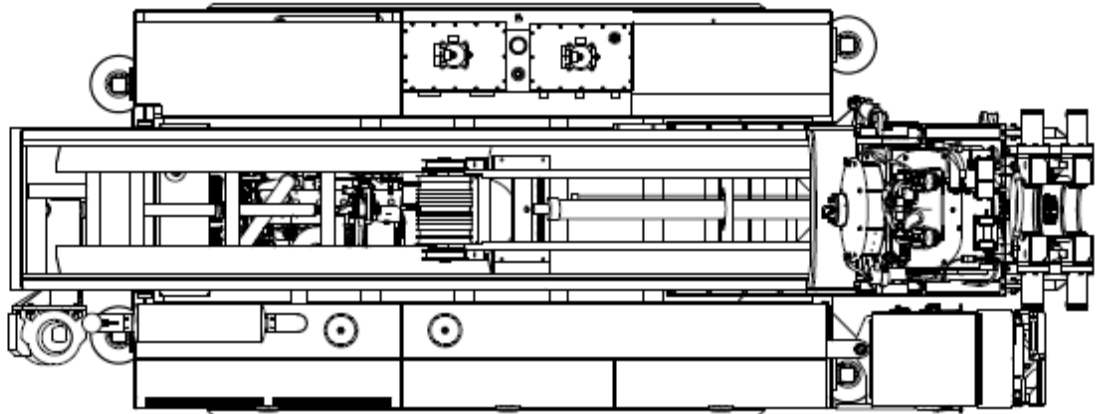
 **TERRA SONIC**
INTERNATIONAL

Reno Business Park
27825 State Route 7
Marietta, Ohio, USA 45750
Corporate: 1.740.374.6608
Fax: 1.740.374.6907

www.terrasonicinternational.com

TSi 150CC Compact Crawler SONIC DRILL RIG

TECHNICAL INFORMATION



**Height & Width
Dimensions with Mast
Lowered and Shifted
For Container
Shipping**

 **TERRA SONIC**
INTERNATIONAL

Reno Business Park
27825 State Route 7
Marietta, Ohio, USA 45750
Corporate: 1.740.374.6608
Fax: 1.740.374.6907

www.terrasonicinternational.com



Distributor Information

Reno Business Park, 27825 State Route 7, Marietta, Ohio, USA 45750
Corporate: 1.740.374.6608 Fax: 1.740.374.6907 www.terrasonicinternational.com

