

Specifications

Power

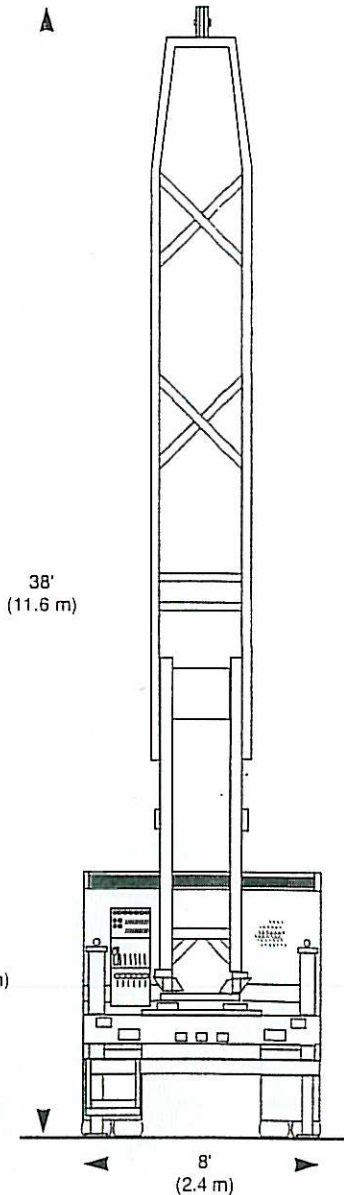
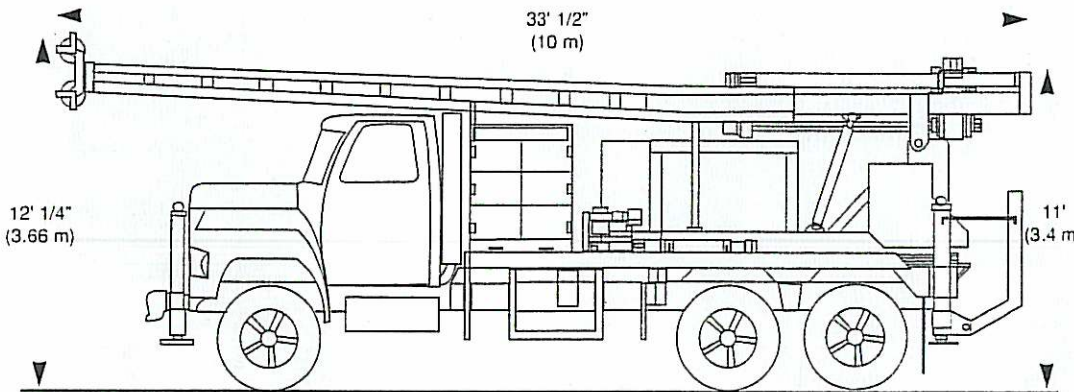
Caterpillar 3208 turbocharged diesel, rated 250 hp (186 kW)

Rotary Drive

Power shift transmission4 speed fwd, 4 speed rev
 Rotary torque, (standard).....31,000 ft lbs (42,036 Nm) max
 Rotary speed, (standard)497 rpm max
 Hollow spindle I.D.3 3/4 inch (9.5 cm)

Hydraulic Feed System

Retract force62,830 lbs (28,500 kg)
 Pulldown force.....33,135 lbs (15,030 kg)
 Hoist rate (max).....108 ft/min (33 m/min)
 Feed rate (max).....97 ft/min (30 m/min)
 Stroke.....6 ft 3 inch (1.9 m)



Typical tandem axle truck configuration. Dimensions may vary, depending on truck wheelbase or all-wheel drive applications.

Central Mine Equipment Company manufactures a complete line of drilling equipment for the environmental, geotechnical and water well drilling industries of the world. We have been a leader in drilling product quality, innovation and service for over sixty years.

MAIN LINE 9/16 x 83 FT
 IRWC 19X7
 NON ROTATE

AUX WINCHES
 3/8" x 67 FT " "



CENTRAL MINE EQUIPMENT COMPANY

4215 Rider Trail North, Earth City, MO. 63045
 Phone: 314-291-7700 1-800-325-8827
 FAX: 314-291-4880