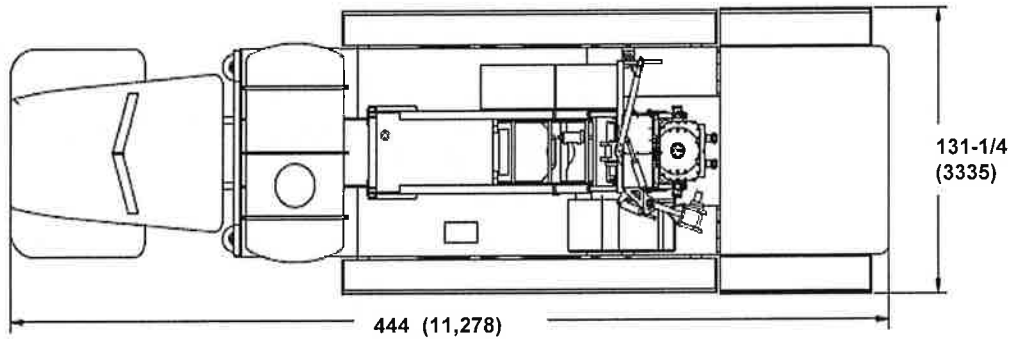
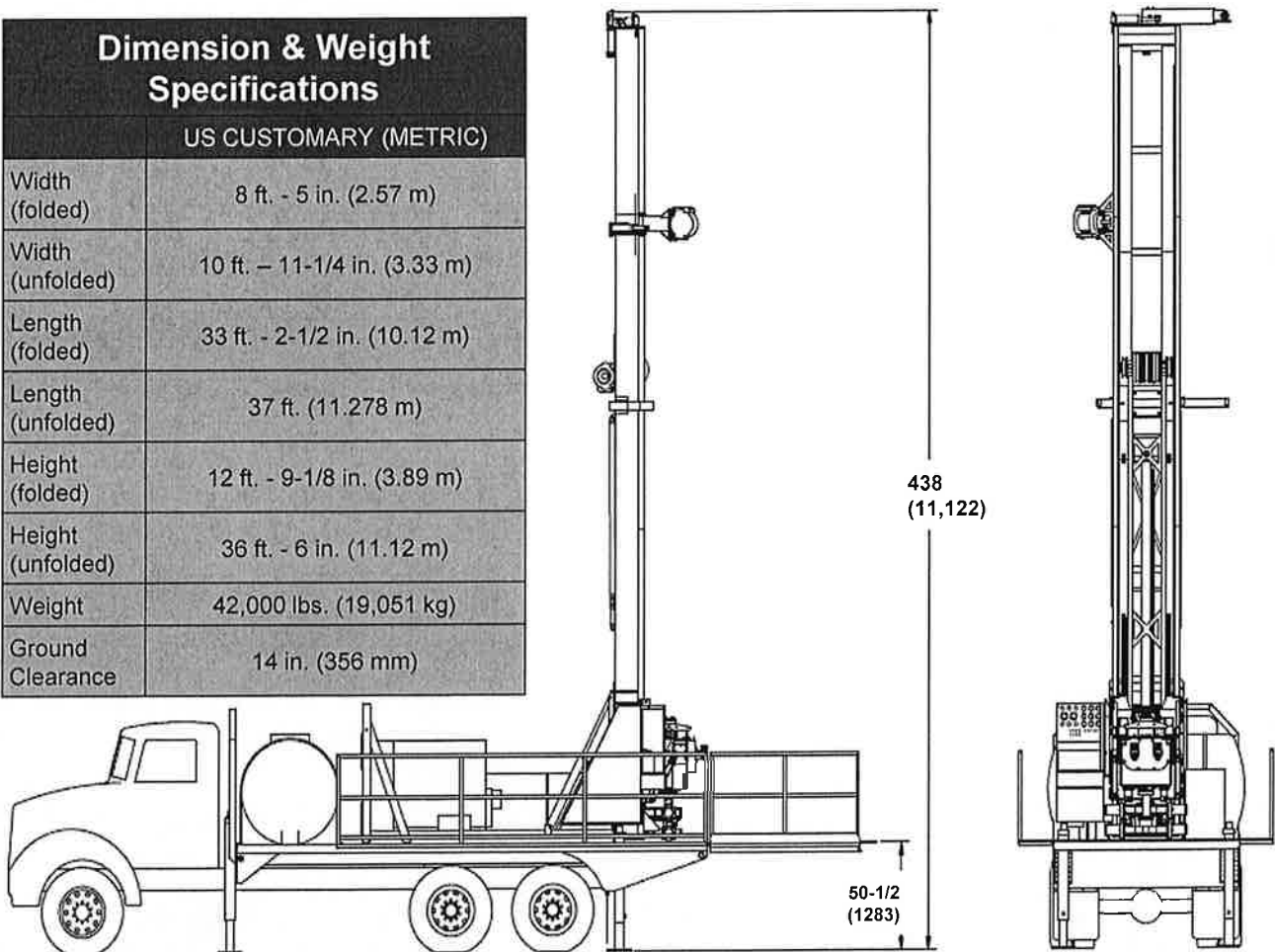


TSi 150T SONIC DRILL RIG

TECHNICAL INFORMATION



Dimension & Weight Specifications	
	US CUSTOMARY (METRIC)
Width (folded)	8 ft. - 5 in. (2.57 m)
Width (unfolded)	10 ft. - 11-1/4 in. (3.33 m)
Length (folded)	33 ft. - 2-1/2 in. (10.12 m)
Length (unfolded)	37 ft. (11.278 m)
Height (folded)	12 ft. - 9-1/8 in. (3.89 m)
Height (unfolded)	36 ft. - 6 in. (11.12 m)
Weight	42,000 lbs. (19,051 kg)
Ground Clearance	14 in. (356 mm)



TERRA SONIC
INTERNATIONAL

Reno Business Park
27825 State Route 7
Marietta, Ohio, USA 45750
Corporate: 1.740.374.6608
Fax: 1.740.374.6907
www.terrasonicinternational.com

Terra Sonic International is constantly striving to improve its products and must therefore, reserve the right to change designs, materials, specifications and price without notice.
Copyright © 2011 Terra Sonic International. All Rights Reserved.