



Specifications

Power

Cummins 6 BT 359 cu. in. 6 cylinder turbocharged diesel engine

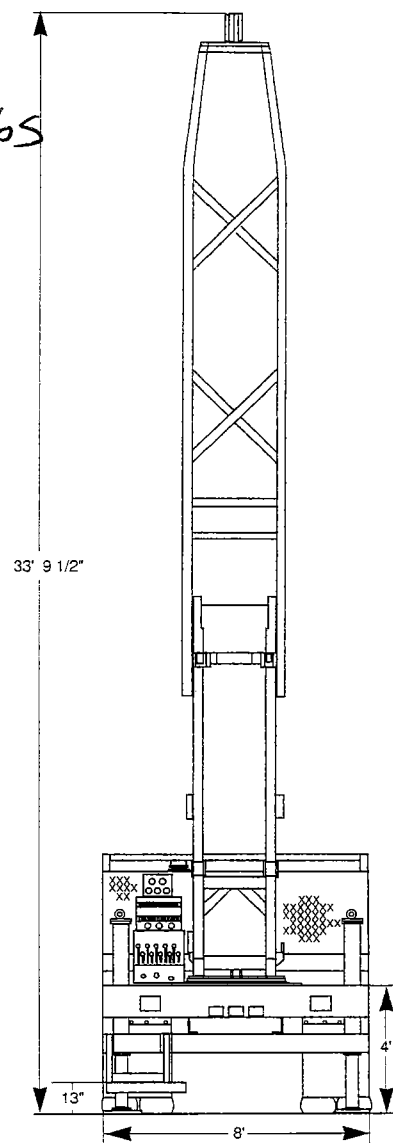
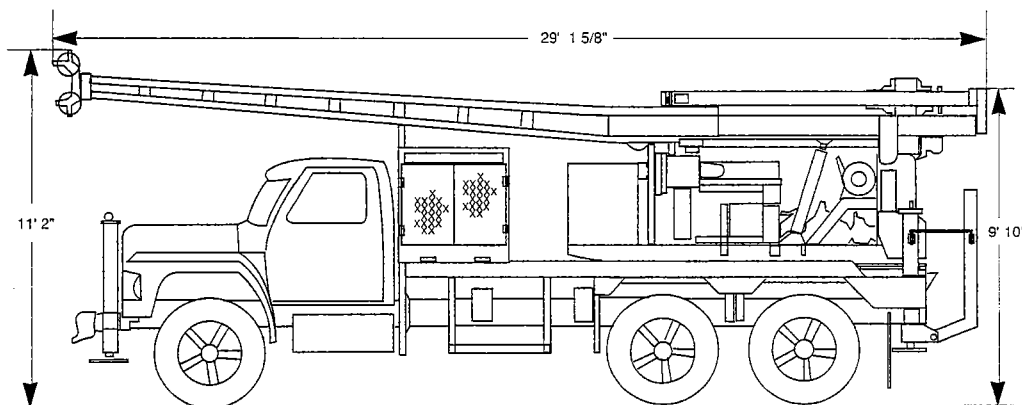
weight approx 40,000+ lbs

Rotary Drive

Clutch, heavy-duty.....13 in.
Transmission.....5 speed fwd., 1 speed rev.
Rotary torque, (standard).....20,000 ft. lbs. max.
Rotary speed, (standard).....465 rpm max.
Hollow spindle I.D.....3 3/4 in.

Hydraulic Feed System

Retract force.....48,000 lbs.
Pulldown force.....28,000 lbs.
Hoist rate (max.).....95 ft./min.
Feed rate (max.).....84 ft./min.
Stroke.....75 in.



Typical tandem axle truck configuration. Dimensions may vary, depending on truck wheelbase or all-wheel drive applications.

Central Mine Equipment Company manufactures a complete line of drilling equipment for the environmental, geotechnical and water well drilling industries of the world. We have been a leader in drilling product quality, innovation and service for over sixty-five years.



CENTRAL MINE EQUIPMENT COMPANY

6200 North Broadway, St. Louis, MO 63147

Phone: 314-381-5900 1-800-325-8827

FAX: 314-381-0013

