

## Specifications

### Power Options

- Ford 300 cu. in. 6 cylinder gasoline engine
- Cummins 359 cu. in. 6 cylinder diesel engine
- GMC 212 cu. in. 4 cylinder diesel engine
- Deutz 345 cu. in. air-cooled 6 cylinder diesel engine

### Rotary Drive

- Clutch, heavy duty.....13 in.
- Transmission .....5 speed fwd.; 1 speed rev.
- Rotary torque .....10,000 ft. lbs. max
- Rotary torque (optional).....13,000 ft. lbs. max
- Rotary speed.....620 rpm max
- Rotary speed (optional).....725 rpm max
- Hollow spindle I.D.....2 3/4 in. (3 3/4 in. avail.)

### Hydraulic Feed System

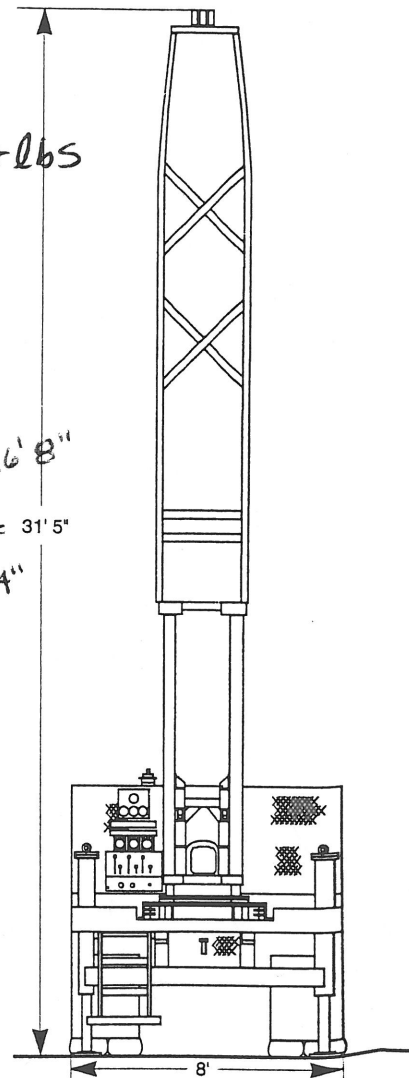
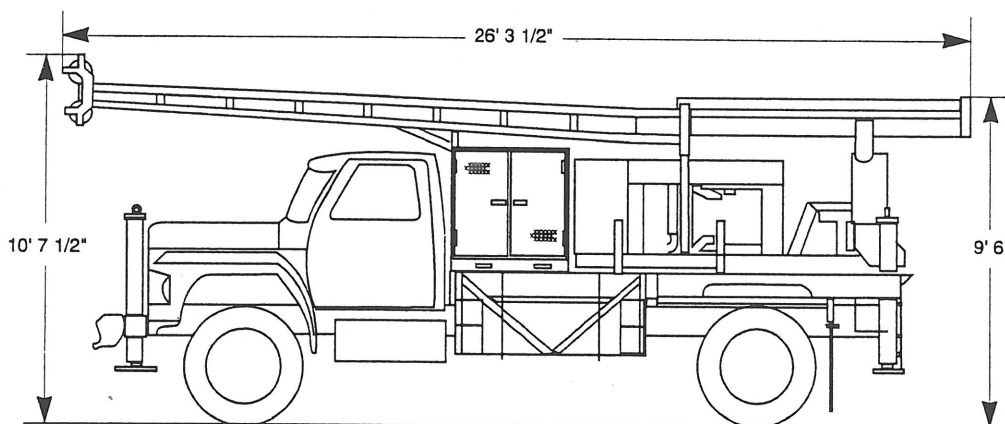
- Retract force .....30,000 lbs.
- Pulldown force .....20,000 lbs.
- Hoist rate (max).....90 ft./min.
- Feed rate (max).....57.6 ft./min.
- Stroke .....72 in.

*Weight approx 30,000+ lbs*

*R3 = 26' 8"*

*R1 = 31' 5"*

*R1 w/short 23' 4"*



**Typical single rear axle truck configuration with optional deck platform.**  
 Dimensions will vary, depending on truck wheelbase and all-wheel drive or tandem rear axle applications.

Central Mine Equipment Company manufactures a complete line of drilling equipment for the environmental, geotechnical and water well drilling industries of the world. We have been a leader in drilling product quality, innovation and service for over sixty years.



### CENTRAL MINE EQUIPMENT COMPANY

6200 North Broadway, St. Louis, Mo. 63147  
 Phone: 314-381-5900 1-800-325-8827  
 FAX: 314-381-0013